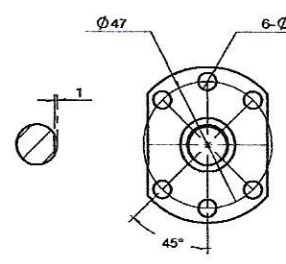
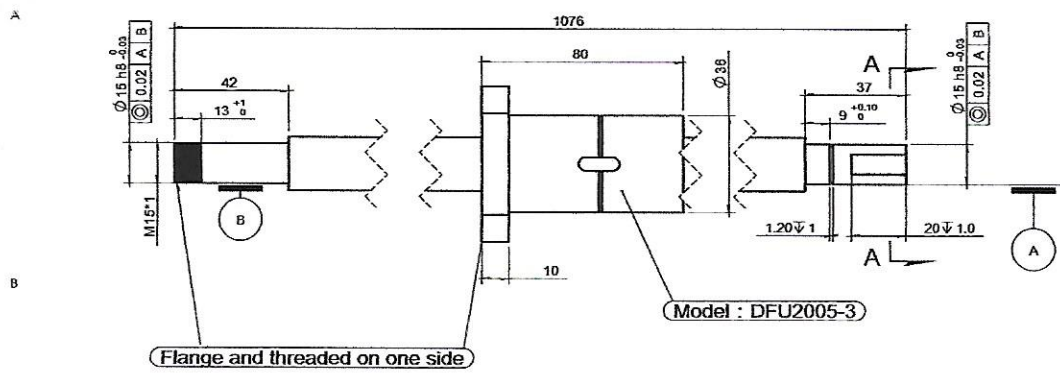
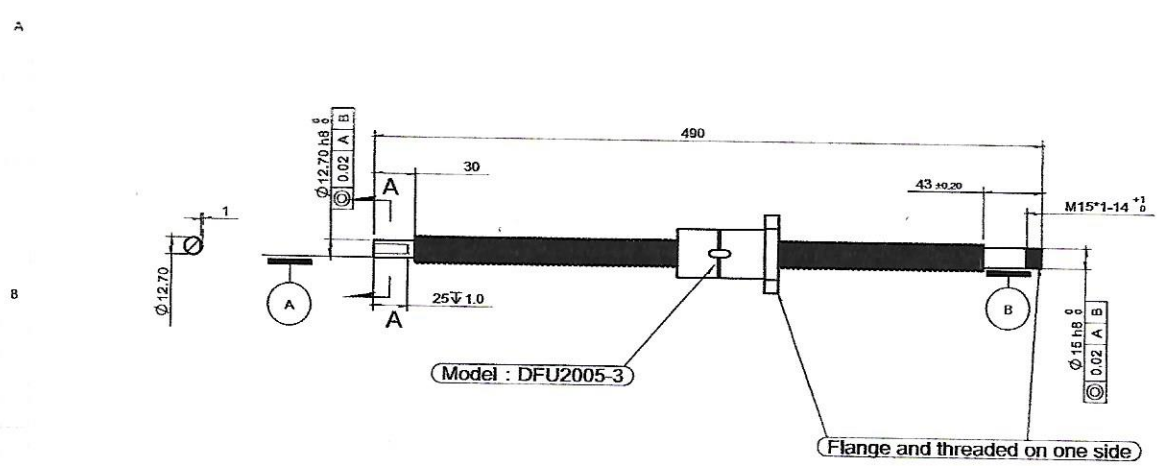


Z x 2

Model	Nominal diameter	screw pitch	Ball diameter	Flange Number	Ca	Coa
DFU2005-3	20mm	5	3.175	d<32	3	8.6
						17.1



X x 1



Y x 1

